

LIFEVIEW QRC85

Sensor: Rogowski Coil

The QRC85 Rogowski Coil sensor is designed to measure Partial Discharge (PD), particularly in a Hazardous environment.

The LIFEVIEW® QRC85 sensor is used to measure high frequency current pulses generated by PD emanating from the breakdown of electrical insulation in High Voltage (HV) machines.

It is an ideal non-intrusive sensor for installation around HV power cables and bushings. This sensor is also suitable for installation in safe areas.

Key Features

- Suitable for Ex applications (Ex e IIC T5 Gb, Tamb -20°C or -30°C to +85°C)
- Ease of installation
- Installed 1 per phase on the line terminals
- For use with LIFEVIEW PDAII, Mobile & 3rd party monitors
- 85mm internal diameter
- The QRC sensor clips around terminals - no need to disconnect cables during installation
- Supplied with 20m integral coax cables for each phase
- Ideally suited for machines with Euromold Terminals



Compatible With:

- LIFEVIEW PDA II
- LIFEVIEW Mobile
- LIFEVIEW Live
- Other compatible PD monitoring system

Applications:

- HV Generators
- HV Motors
- Ex Applications

#LIFEVIEWConditionMonitoring

Technical Specification

General Specifications

- Primary Current: 2000A max.

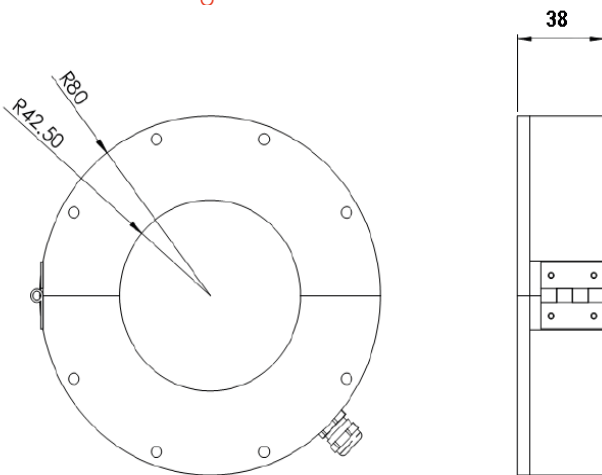
Environment

- Operating Temperature: -20°C - +85°C
- Operating Temperature: -30°C - +85°C (with alt. cable gland)
- Hazardous Area ATEX/IECEx rating: Ex e IIC T5 Gb

Mechanical Dimensions

- Outer Diameter: 160mm
- Inner Diameter: 85mm
- Weight (With 20m integral cable): 2kg

Technical Drawings



Why QRC85?

- Hazardous or Safe area PD Sensor
- The QRC sensor clips around terminals - no need to disconnect cables during installation
- Central aperture accommodates 85mm diameter cable or bushing
- Ideally suited to machines with Euromold Terminals
- Installed 1 per phase on the line terminals

Order Code

QRC85Kit

Installation Kit Includes:

- 3 x QRC85 Rogowski coils (with 20m integral coaxial cable and Ex approved connectors)
- 1 x roll self-amalgamating tape
- On Request: Silicone packing pieces with an internal diameter of 32mm or 48mm

Quartzteq GmbH reserves the right, without further notice, to change the product specifications and/or the information contained in this document for improvements of the product

Key Contact Information

To request a quotation or further information please contact

Quartzteq

+41 (0) 27 722 27 90

info@quartzteq.com

Quartzelec

+44 (0)1788 512512

info@quartzelec.com

Contact Your Local Authorised Distributor

www.quartzteq.com/contact



+41 (0) 27 722 27 90 | info@quartzteq.com | www.quartzteq.com